

LEDone®

LOC Wrap Around Light Series Installation Guide

SAFETY INSTRUCTIONS: Read instructions carefully before attempting to install fixture.

- All wiring should be performed by a qualified electrician.
- Disconnect power before installing or servicing. This fixture must be wired in accordance with the National Electrical Code and applicable local codes and ordinances.

CAUTION: Risk of fire

- **WARNING:** Make certain power is OFF before installing or maintaining fixture. No user serviceable parts inside.
- **WARNING:** Do NOT handle energized fixture when hands are wet, when standing on wet or damp surfaces or in water.
- **WARNING:** Fixture to be independently supported to building structure.
- **WARNING:** Do NOT expose wiring to edges of sharp objects.

CLEANING & MAINTENANCE:

CAUTION: Be sure the fixture temperature is cool enough to touch. Do NOT clean or maintain while the fixture is energized.

1. Clean polycarbonate lens with non-abrasive cleaning solution.
2. Do NOT open fixture to clean the LED. Do NOT touch the LED.

Note: These instructions do not cover all details or variation in equipment, nor do they provide for every possible situation during installation, operation or maintenance.

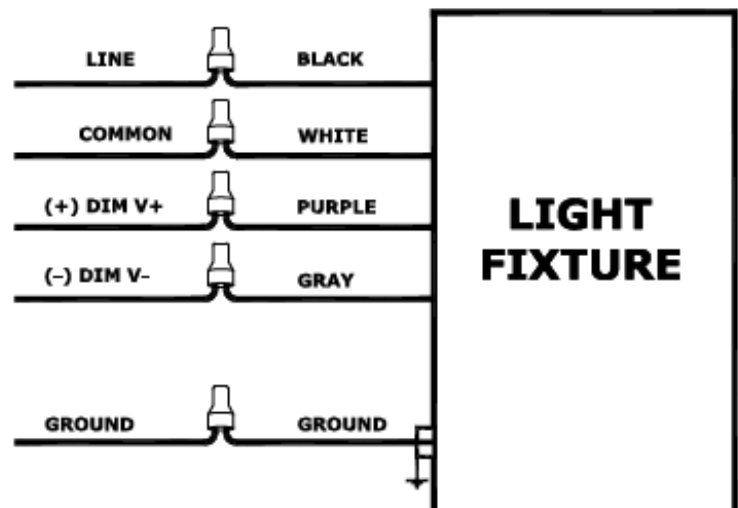
TROUBLESHOOTING:

1. Check that the line voltage at fixture is correct. Refer to wiring directions.
2. Check that the fixture is grounded properly.

0-10V DIMMABLE WIRING:

Universal voltage driver permits operation at 120V through 277V, 50/60Hz.

1. Connect the BLACK fixture lead to the LINE supply lead.
2. Connect the WHITE fixture lead to the COMMON supply lead
3. Connect the GROUND wire from fixture to the supply ground. Do NOT connect the GROUND of the dimming fixture to the output.
4. Connect the VIOLET fixture lead to the (V+) DIM lead.
5. Connect the GRAY fixture lead to the (V-) DIM lead.
6. Cap the yellow fixture lead if present. Do NOT connect.



INSTALLATION OPTIONS:

CAUTION: Turn off electrical power at fuse or circuit breaker box before wiring fixture to the power supply.

1. SURFACE MOUNT

- a. Carefully snap out the lens from the housing one side at a time.
- b. Remove the 2 screws from the reflector and discard. Squeeze the center of the reflector and release the notches.
- c. Pull the supply wires from the junction box (not supplied) through the center access hole of the housing as shown in **Fig. 1**. Use the appropriate UL approved wire connectors as required by code to make electrical splices to fixture leads.
- d. For conduit mounting, drill out the end cap, connect conduit.
- e. Secure the housing to the junction box or mount the housing directly to sturdy the surface by using the drill locations (6 holes for 4FT model / 4 holes for 2FT model). Use the appropriate mounting hardware for surface mounting.
- f. Once the connections are made, push all the wires behind the reflector.
- g. Place the reflector back on. Be careful not to pinch the wires. Hook the lens to one side of the housing and snap the lens into place. See **Fig. 2**.

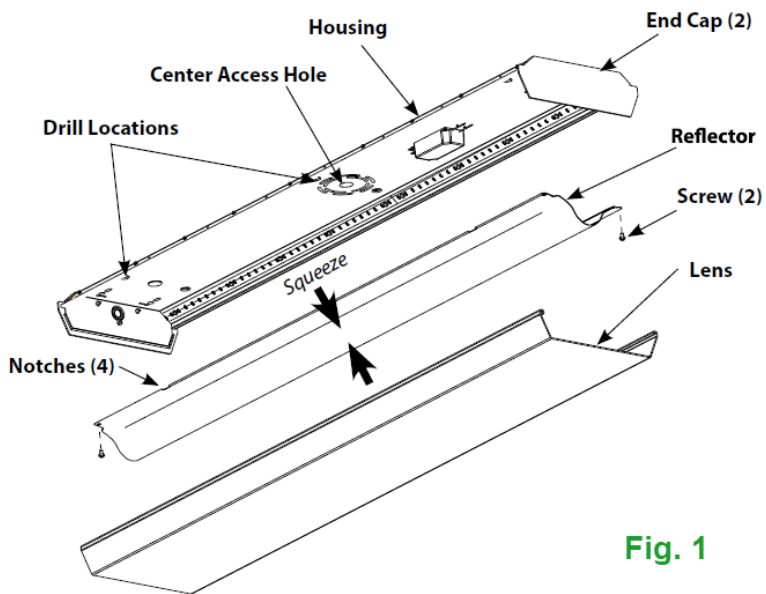


Fig. 1

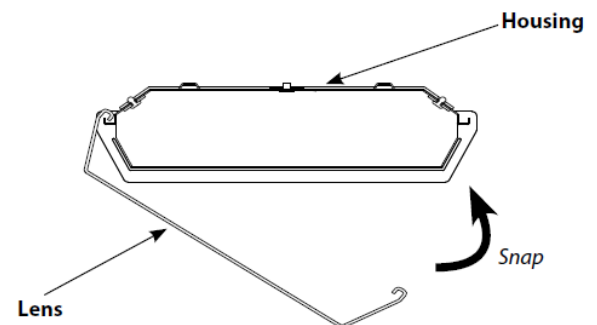


Fig. 2

INSTALLATION OPTIONS:

2. SUSPENSION MOUNT

- a. Attach suspension kit in 1 of the 2 ways see in **Fig. 3** or **Fig. 4**, insert anchors and mount to the ceiling.

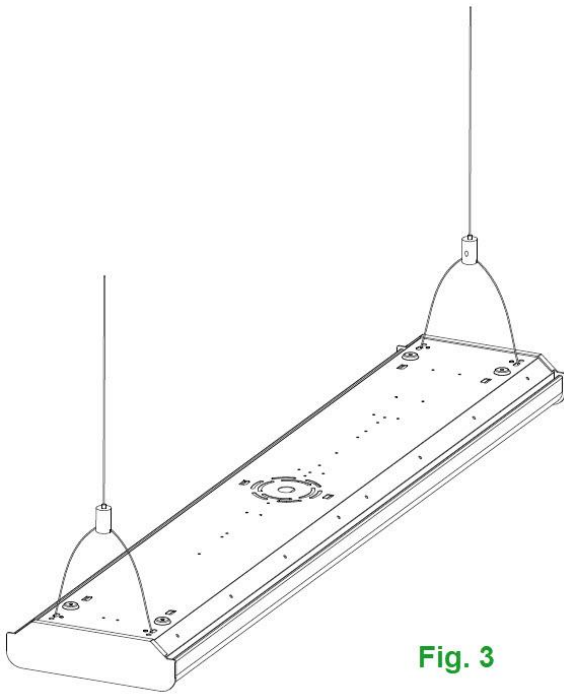


Fig. 3

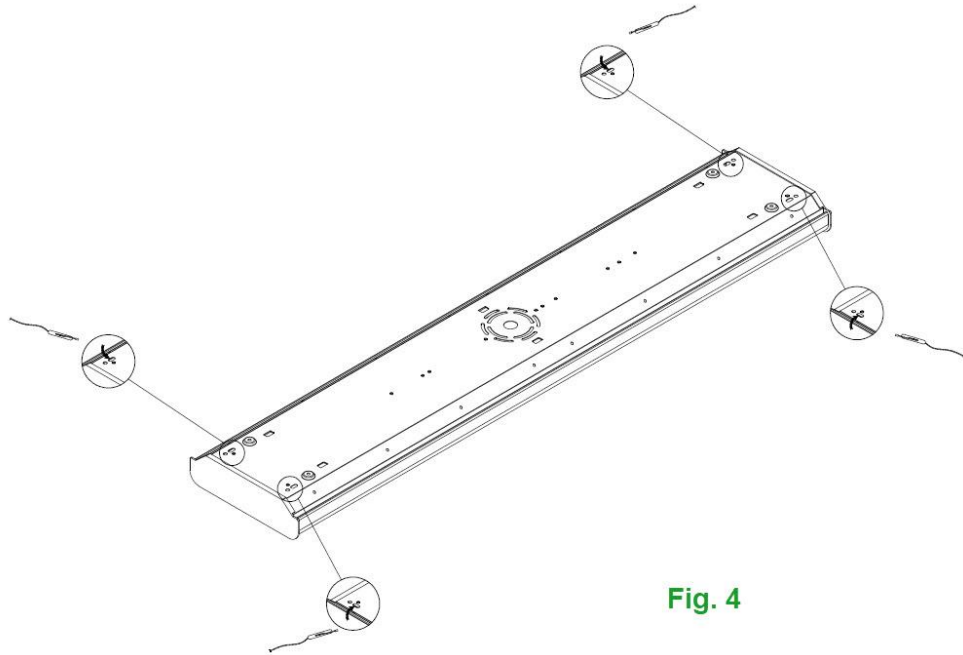


Fig. 4

INSTALLATION OPTIONS:

3. GUS J CAP (OPTIONAL ACCESSORY)

- a. Remove the 2 endcaps from both housings and replace with Gus JCAP.
- b. Secure the Gus JCAP with 3 screws and 3 nuts provided. See **Fig. 5**
- c. Follow directions on mounting from above and feed any necessary wires through from one fixture to the other.

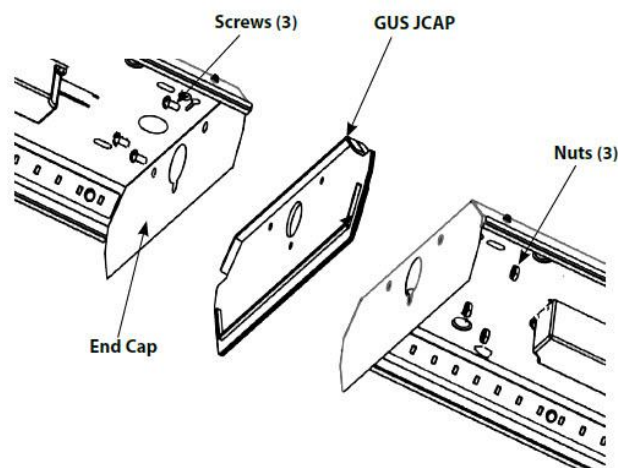


Fig. 5